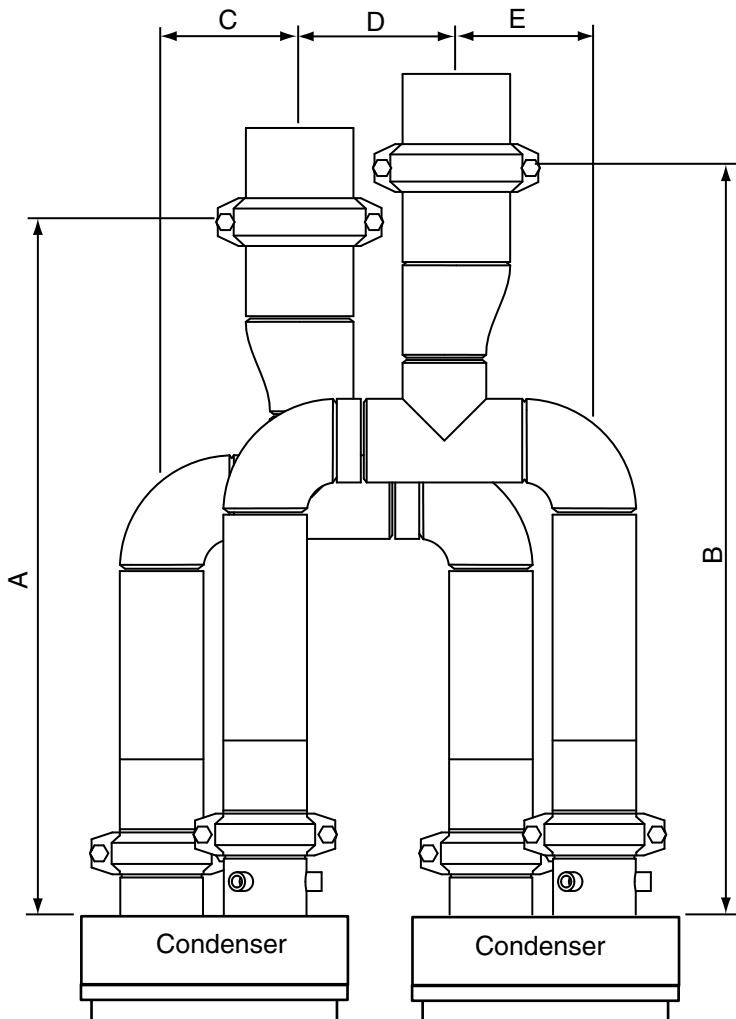


MANIFOLD KIT FLANGED					
	DIMENSION (mm)				
MODEL	A	B	C	D	E
0350	565	496	123	176	123
0415	741	799	147	167	147
0480	741	799	147	167	147
0530	741	799	147	167	147
0575	741	799	147	167	147
0620	741	799	147	167	147
0660	741	799	147	167	147
0725	730	730	233	303	233
0840	730	730	233	303	233
0955	730	730	233	303	233
1050	730	730	233	303	233
1110	730	730	233	303	233

NOTE:  
 ALL DIMENSIONS APPROXIMATE  
 FLANGES TO BS 4504 PN10.  
 MANIFOLD KIT CUSTOMER CONNECTIONS  
 MODELS 0350 TO 0660 = 4"  
 MODELS 0725 TO 1110 = 6"



MANIFOLD KIT VICTAULIC					
	DIMENSION (mm)				
MODEL	A	B	C	D	E
0350	616	546	123	176	123
0415	836	894	147	167	147
0480	836	894	147	167	147
0530	836	894	147	167	147
0575	836	894	147	167	147
0620	836	894	147	167	147
0660	836	894	147	167	147
0725	825	825	233	303	233
0840	825	825	233	303	233
0955	825	825	233	303	233
1050	825	825	233	303	233
1110	825	825	233	303	233

NOTE:  
 ALL DIMENSIONS APPROXIMATE  
 MANIFOLD KIT CUSTOMER CONNECTIONS  
 MODELS 0350 TO 0660 = 4"  
 MODELS 0725 TO 1110 = 6"